

Tying Machines Series M

This range of machines combines high performance with excellent reliability to offer maximum productivity. Processing plants are able to yield quality products in less time, with fewer operators and at lower cost.

Standard Features include:

- Wear-free AC Servomotors
- Automatic reset of knotting unit and ring
- Smart Motion Controller with LED displays
- Up to 63 strings/min
- Selector switch for 1, 2, 3, 4, cross- and continuous tying
- Larger bobbin reduces downtime for twine changeovers
- Interlocked removable catch tray prevents deposits, residues or product
 - scraps soiling the floor or the inside of the machine



FRT-M
FRT-MF
FRT-MF 400



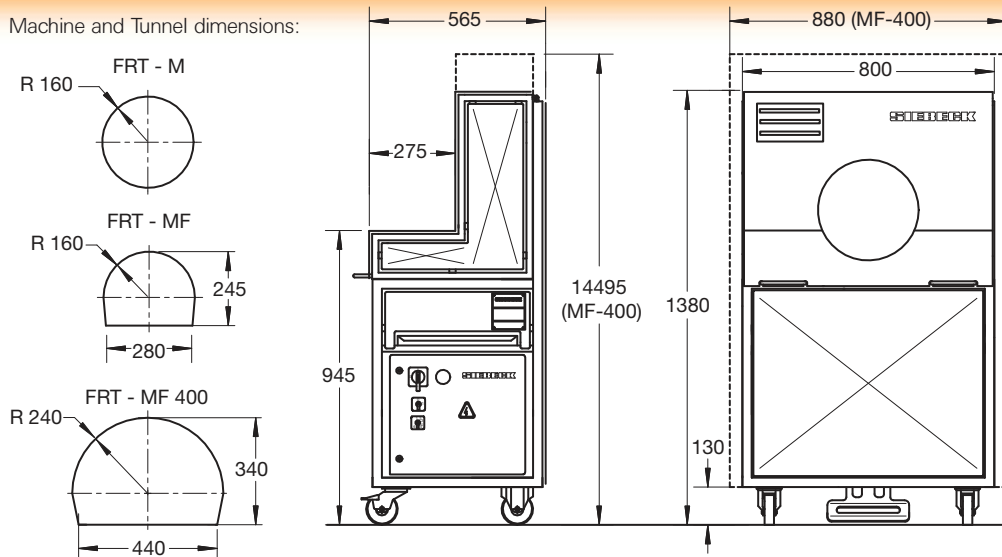
FRT-M
Round table

FRT-MF
Flat table

FRT-MF 400
Large tunnel



Machine and Tunnel dimensions:



Specifications

Connected load:
170 - 260 V, AC, 50/60 Hz
1,3 kW

Sound pressure level:
72 dB (A) +/- 1

Weight:
FRT-M, FRT-MF: 160 kg
FRT-MF 400: 165 kg

SIEBECK
VERPACKUNGSMASCHINEN

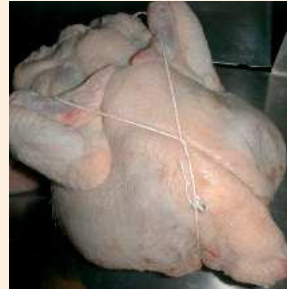
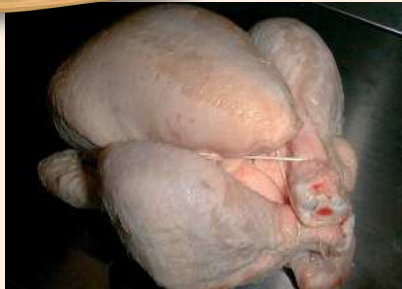
Chicken Trussing Machine

FRT-MF

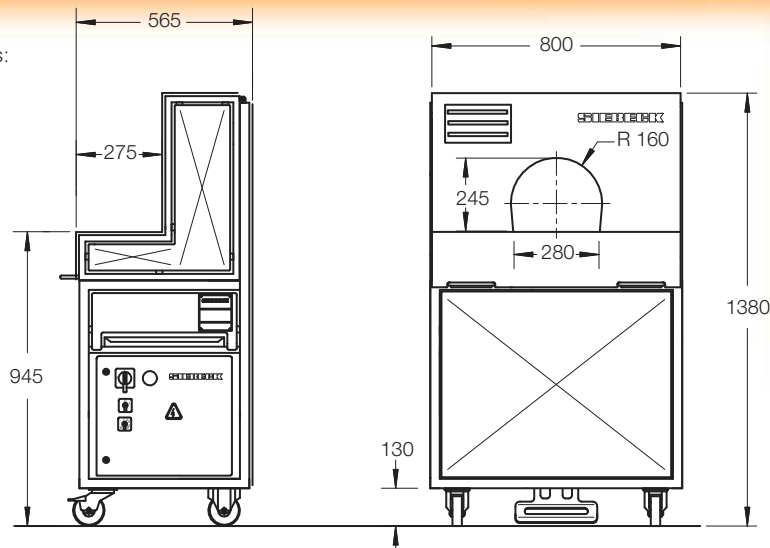
Improved ergonomics reduce operator back and arm strain and wrist problems resulting in higher productivity. The Siebeck trussing system can be used for a wide variety of presentation options to suit national preferences. Whichever method you choose the chicken legs will be held together to give the finished bird a natural, symmetric plumb-breasted appearance.

Standard Features include:

- Wear-free AC Servomotors
- Automatic reset of knotting unit and ring
- Smart Motion Controller with LED displays
- Up to 63 strings/min
- Selector switch for 1, 2, 3, 4, cross- and continuous tying
- Larger bobbin reduces downtime for twine changeovers
- Interlocked removable catch tray prevents deposits, residues or product
 - scraps soiling the floor or the inside of the machine



Machine and Tunnel dimensions:



Specifications

Connected load:
170 - 260 V, AC, 50/60 Hz
1,3 kW
Sound pressure level:
72 dB (A) +/- 1
Weight:
FRT-MF: 160 kg

SIEBECK
VERPACKUNGSMASCHINEN