

Skinning Machine EHM 10

Quality and safety:

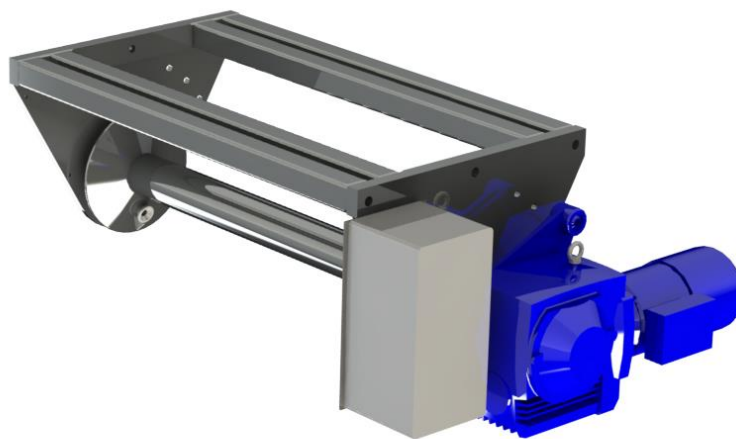
Skin damage is largely avoided through even, continuous stripping. Stair platforms facilitate the work on the animal. In addition, the safety of the staff is considerably increased. The well thought-out design of the machine ensures rational work.

Performance:

A significant increase in performance can be achieved with the same amount of personnel. Efficient use from as little as 2 animals per week.

Maintenance:

With only a few moving parts, this unit is virtually maintenance-free. Maintenance is limited to weekly bearing lubrication.



Tractive force:	2500 kg
Dimensions:	1700 x 645 x 500 mm
Weight:	340 kg
Power:	2.2 kW
Voltage:	400 V

